

#1

WHICH ONE DOESN'T BELONG? Which set of numbers does *not* belong with the other three? Explain your reasoning.

3, 6, 8

6, 8, 10

5, 12, 13

7, 24, 25

If you answered...

3,6,8 go to #4

6,8,10 go to #9

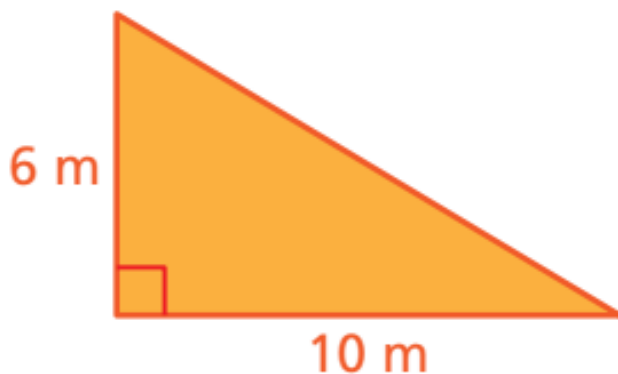
5,12,13 go to #6

7, 24, 25 go to #12

#4

Directions: Find the perimeter of the figure. Round your answer to the nearest tenth.

Right triangle



If you answered...

32m go to #12

16m go to #1

27.7m go to #13

4.4m go to #9

#13

Directions: Find the perimeter of the figure. Round your answer to the nearest tenth.

If you answered...

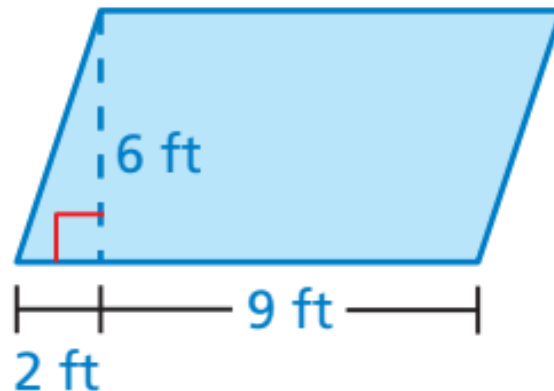
44ft go to #4

34.6ft go to #10

30.3ft go to #9

36.8ft go to #6

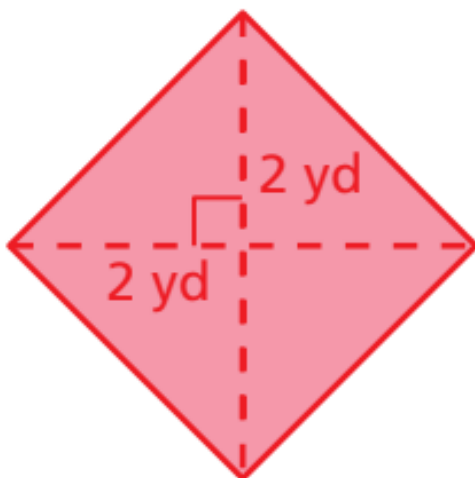
Parallelogram



#10

Directions: Find the perimeter of the figure. Round your answer to the nearest tenth.

Square



If you answered...

11.3yd go to #2

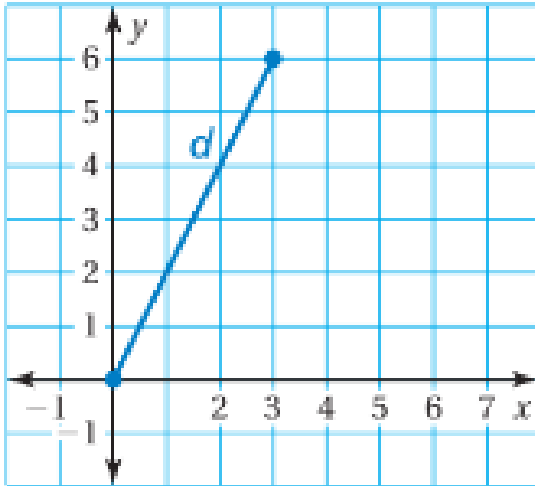
16yd go to #15

13.9yd go to #1

2.8yd go to #6

#2

Directions: Find the distance d . Round your answer to the nearest tenth.



If you answered...

6 go to #4

3.3 go to #1

4.2 go to #10

6.7 go to #7

#7

Directions: Find the distance d . Round your answer to the nearest tenth.

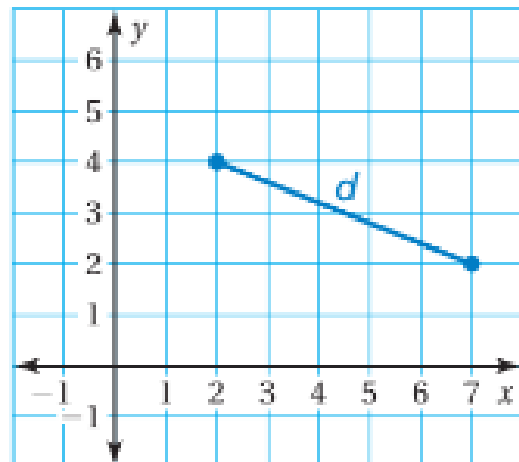
If you answered...

5.4 go to #5

2.3 go to #13

6.3 go to #10

4.1 go to #6



#5

Directions: Find the height, x , of the powerline pole. Round your answer to the nearest tenth.

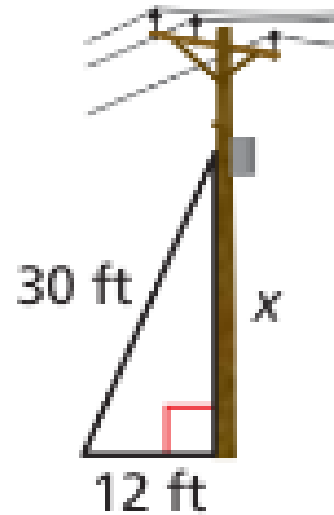
If you answered...

21ft go to #10

32.3ft go to #9

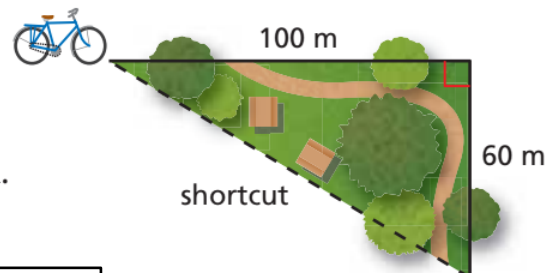
45ft go to #12

27.5ft go to #8



#8

BICYCLE You ride your bicycle along the outer edge of a park. Then you take a shortcut back to where you started. Find the length of the shortcut. Round your answer to the nearest tenth.



If you answered...

160m go to #7

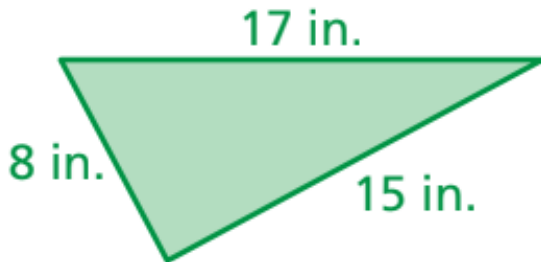
116.6m go to #3

80.2m go to #13

32.7m go to #9

#3

Directions: Tell whether the triangle with the given side lengths is a right triangle.



If you answered...
It is a right triangle, go to #14

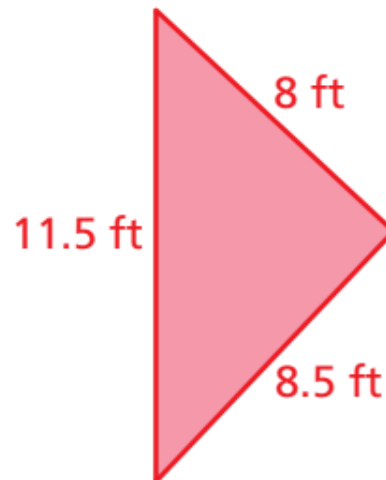
It is not a right triangle, go to #10

#14

Directions: Tell whether the triangle with the given side lengths is a right triangle.

If you answered...
It is a right triangle, go to #2

It is not a right triangle, go to #11



#11

Directions: Tell whether the given measurements for a triangle make a right triangle.

14 mm, 19 mm, 23 mm

If you answered...

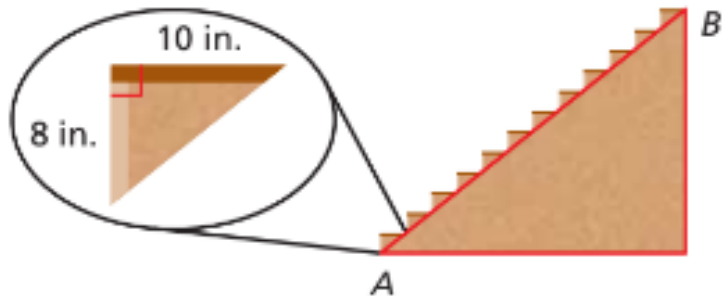
It is a right triangle, go to #7

It is not a right triangle, go to #15

#15

STAIRS There are 12 steps in the staircase.

Find the distance from point *A* to point *B* (in feet). Round your answer to the nearest tenth.



If you answered...

12.8in. go to #4

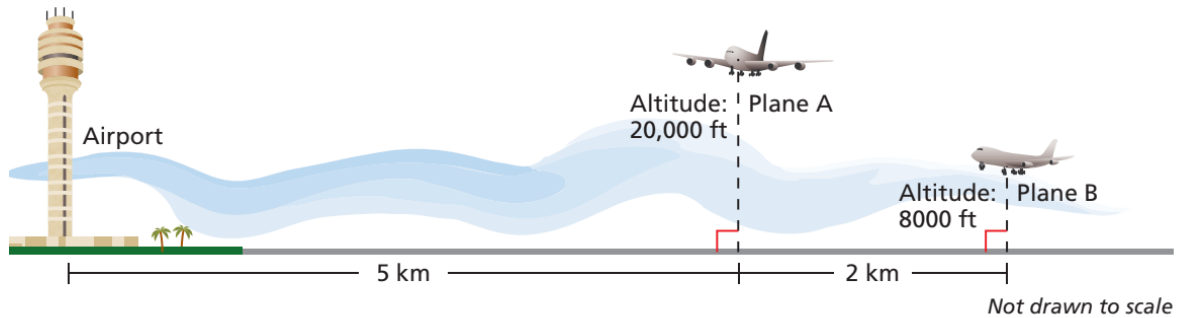
153.7in. go to #9

108in. go to #3

50.9in. go to #11

#9

Directions: Which plane is closest to the base of the airport? There is 3280.84 feet in a kilometer.



If you answered...

Plane A, go to #1

Plane B, go to #12

#12

Content Review

Directions: Find the mean, median, and mode of the data.

12, 9, 17, 15, 12, 13

If you answered...

Mean: 14, Median: 11, Mode: 12 go to #1

Mean: 13, Median: 12.5, Mode: 12 go to #6

Mean: 12, Median: 12, Mode: 12.5 go to #15

#6

. **MULTIPLE CHOICE** What is the sum of the angle measures of an octagon? (*Section 5.3*)

(A) 720°

(B) 1080°

(C) 1440°

(D) 1800°

If you answered...

A go to #9

B go to #1

C go to #3

D go to #11